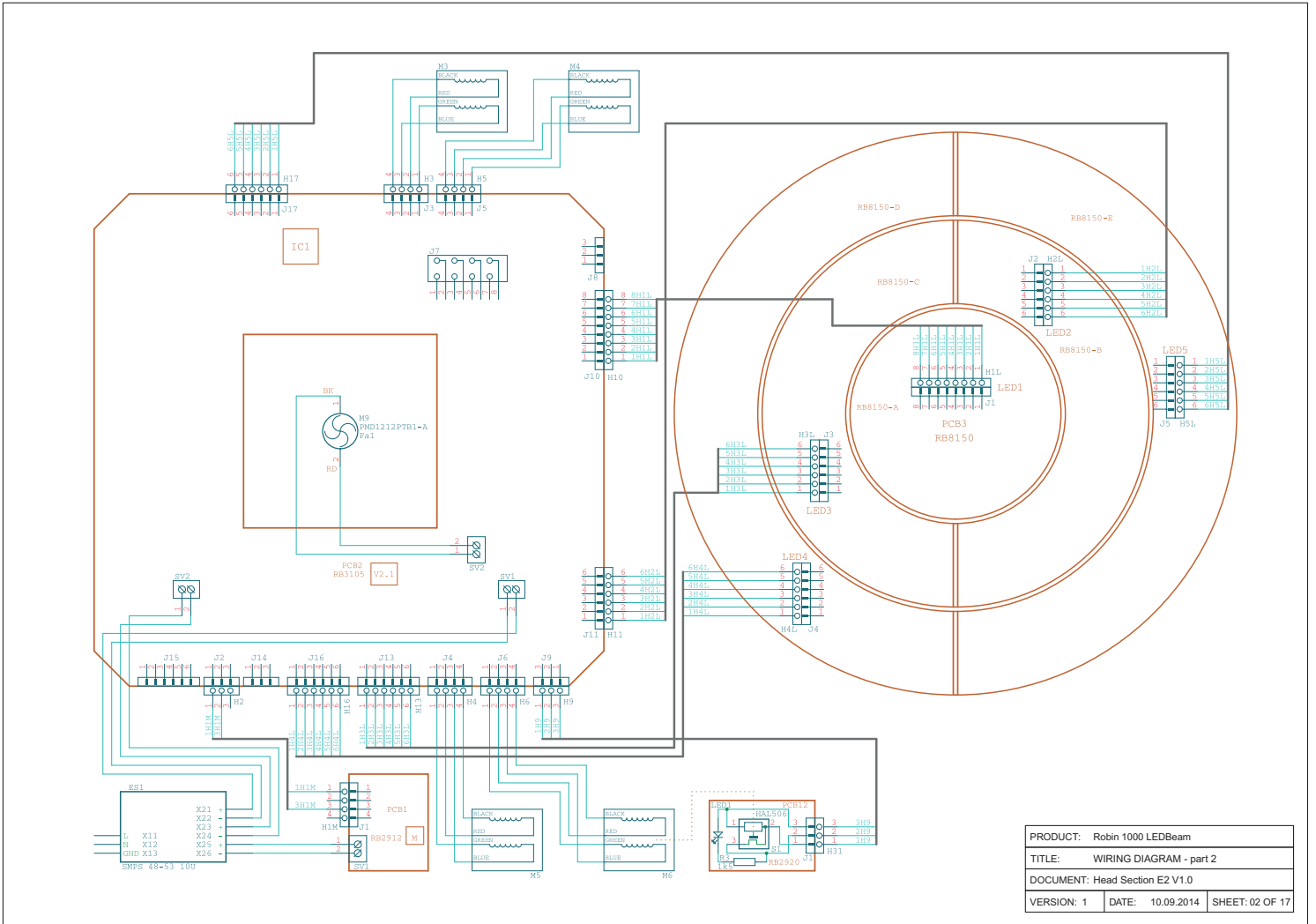
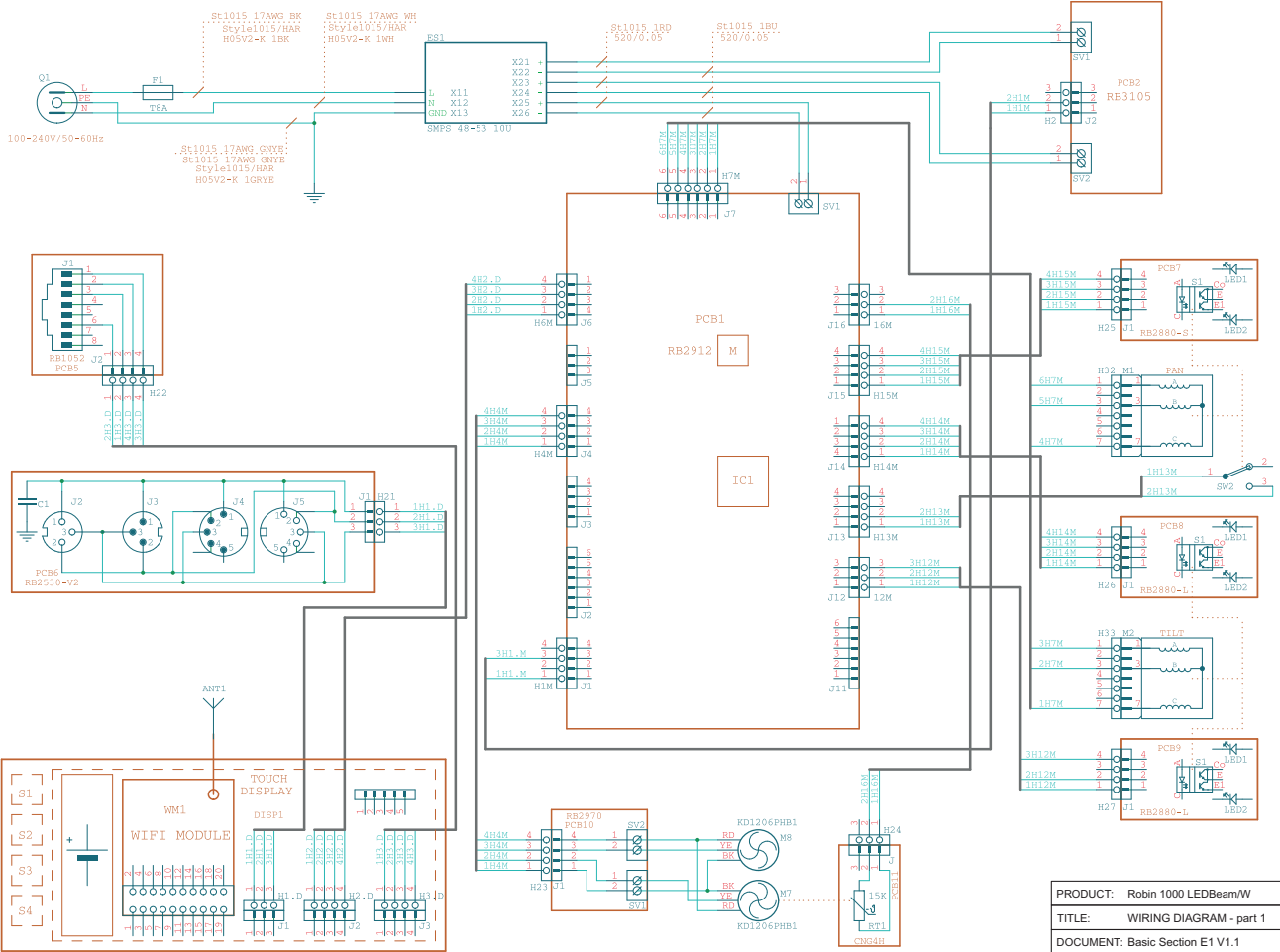


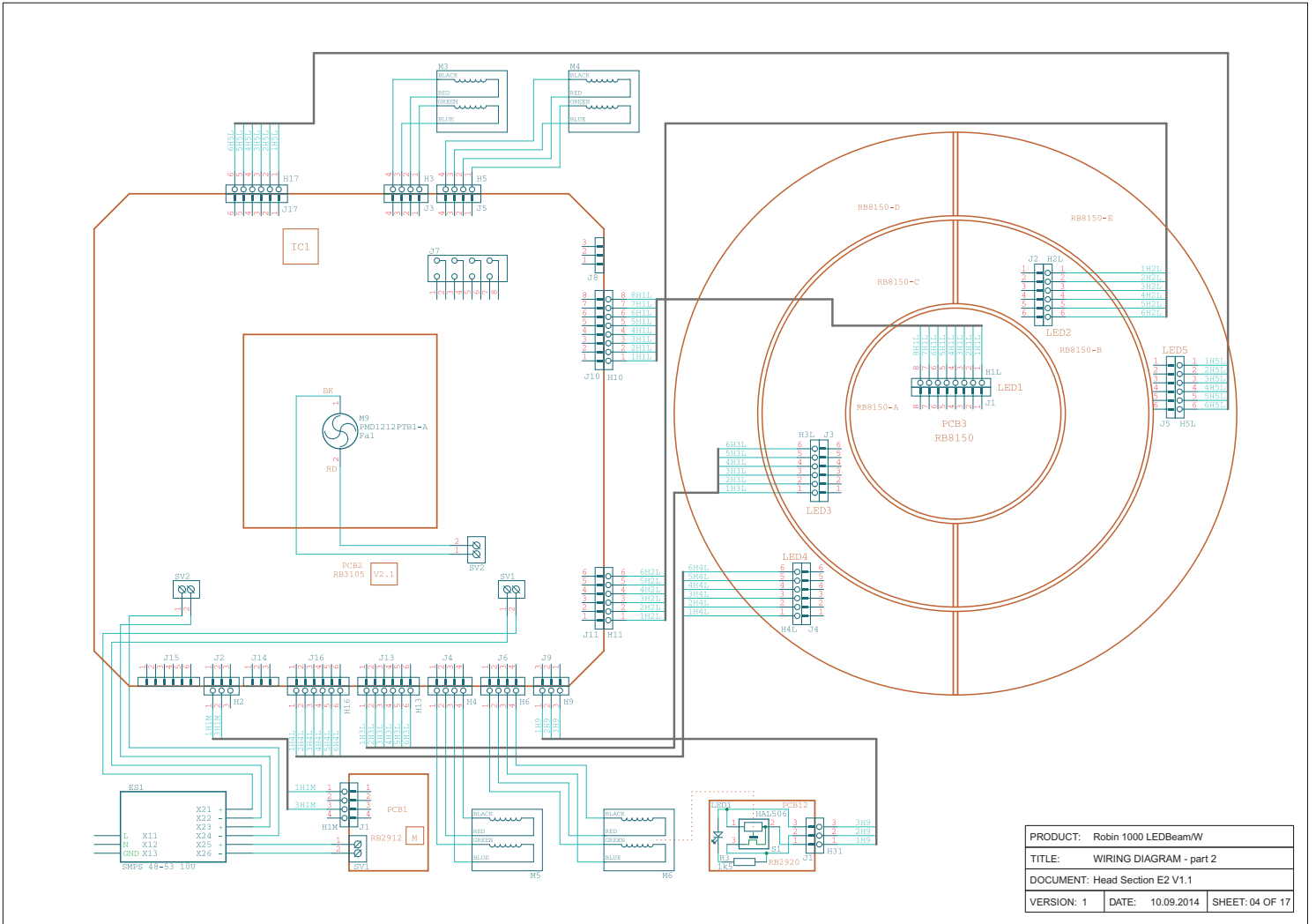
PRODUCT:	Robin 1000 LEDBeam
TITLE:	WIRING DIAGRAM - part 1
DOCUMENT:	Basic Section E1 V1.0
VERSION:	1
DATE:	10.09.2014
SHEET:	01 OF 17



PRODUCT:	RobIn 1000 LEDBeam
TITLE:	WIRING DIAGRAM - part 2
DOCUMENT:	Head Section E2 V1.0
VERSION:	1
DATE:	10.09.2014
SHEET:	02 OF 17

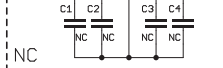
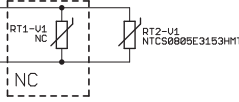
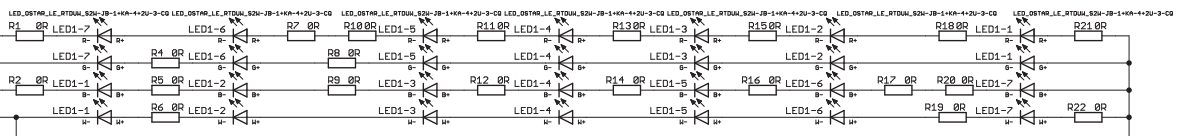


PRODUCT:	Robin 1000 LEDBeam/W		
TITLE:	WIRING DIAGRAM - part 1		
DOCUMENT:	Basic Section E1 V1.1		
VERSION:	1	DATE:	10.09.2014
		SHEET:	03 OF 17



J1  
502352-0000

LED1



NC:  
RT1-U1  
C1 - C4  
C5 - C8

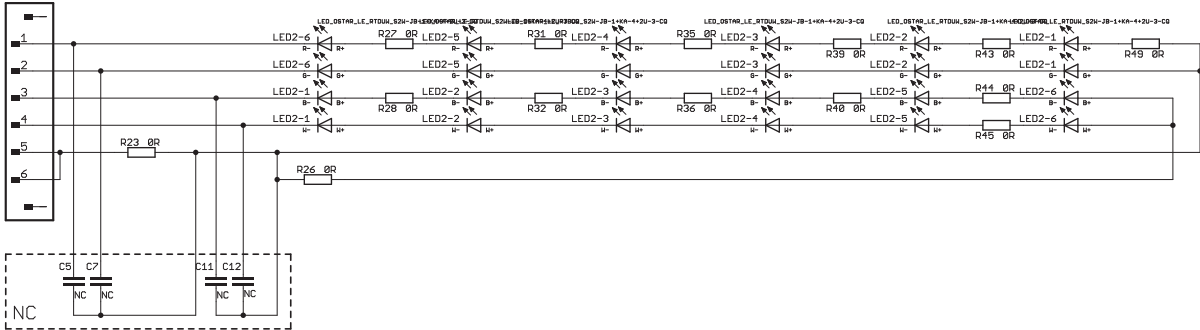
ZZ1    ZZ2    ZZ3    ZZ4    ZZ5  
o       o       o       o       o

PRODUCT: Robin 1000 LEDBeam		
TITLE: RB8150 - part 1		
DOCUMENT: CIRCUIT DIAGRAM		
VERSION: 1	DATE: 10.09.2014	SHEET: 05 OF 17

502352-0600

J2

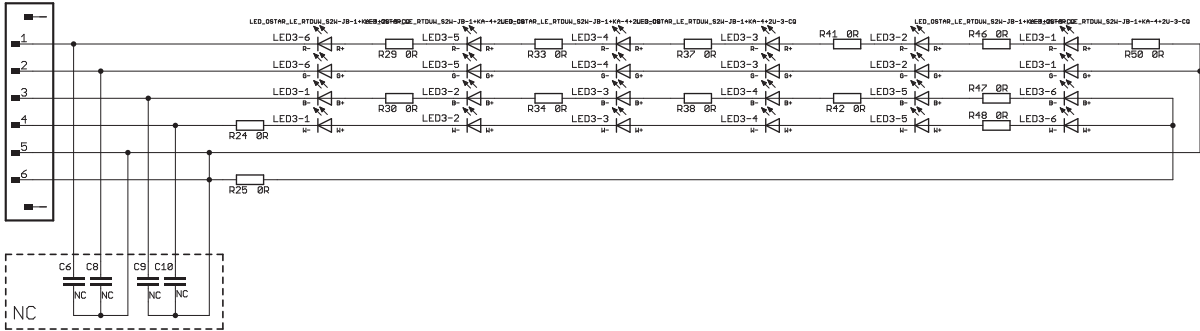
LED2



502352-0600

J3

LED3

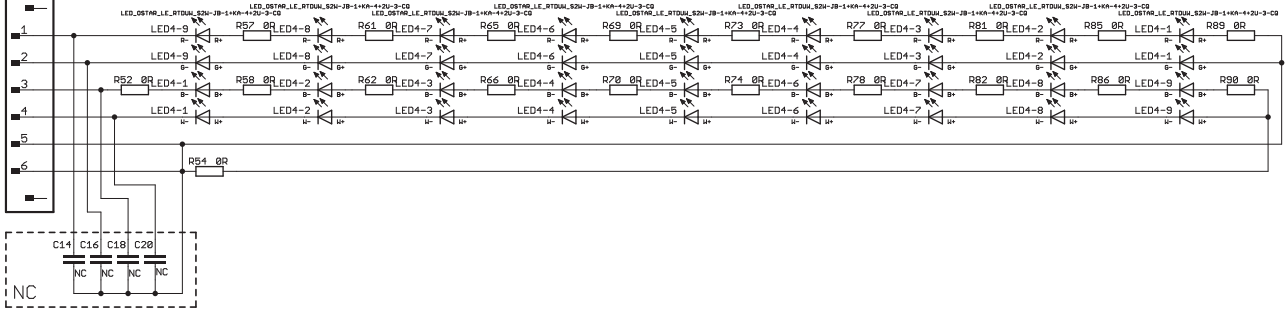


PRODUCT:	Robin 1000 LEDBeam	
TITLE:	RB8150 - part 2	
DOCUMENT:	CIRCUIT DIAGRAM	
VERSION:	1	DATE: 10.09.2014 SHEET: 06 OF 17

502352-0600

J4

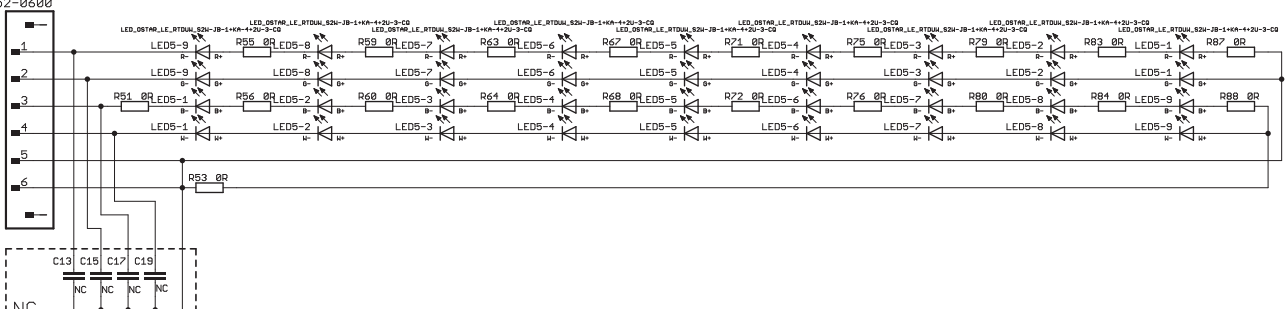
LED4



502352-0600

J5

LED5

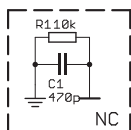
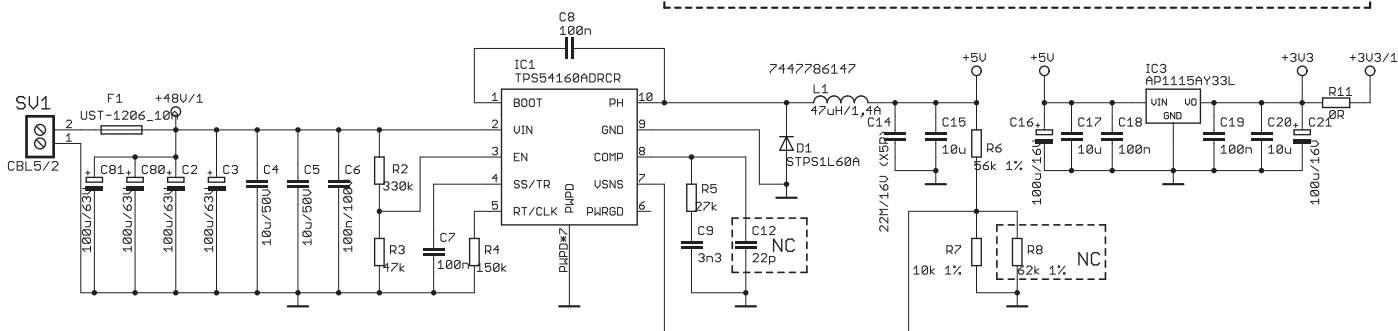
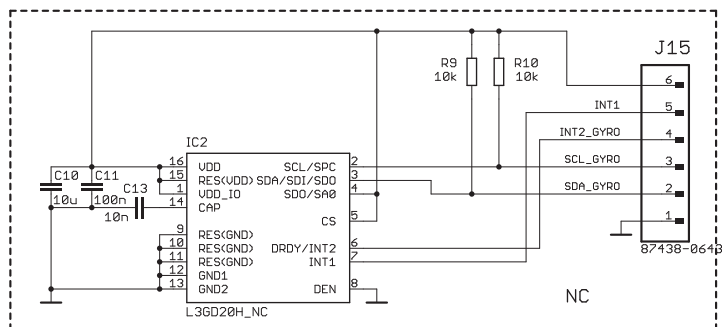
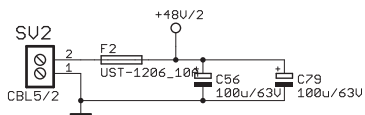


ZZ6    ZZ8    ZZ10  
 ○    ○    ○

ZZ7    ZZ9    ZZ11    ZZ12  
 ○    ○    ○    ○

NC:  
 C9 - C12  
 C13 - C16

PRODUCT: Robin 1000 LEDBeam		
TITLE: RB8150 - part 3		
DOCUMENT: CIRCUIT DIAGRAM		
VERSION: 1	DATE: 10.09.2014	SHEET: 07 OF 17

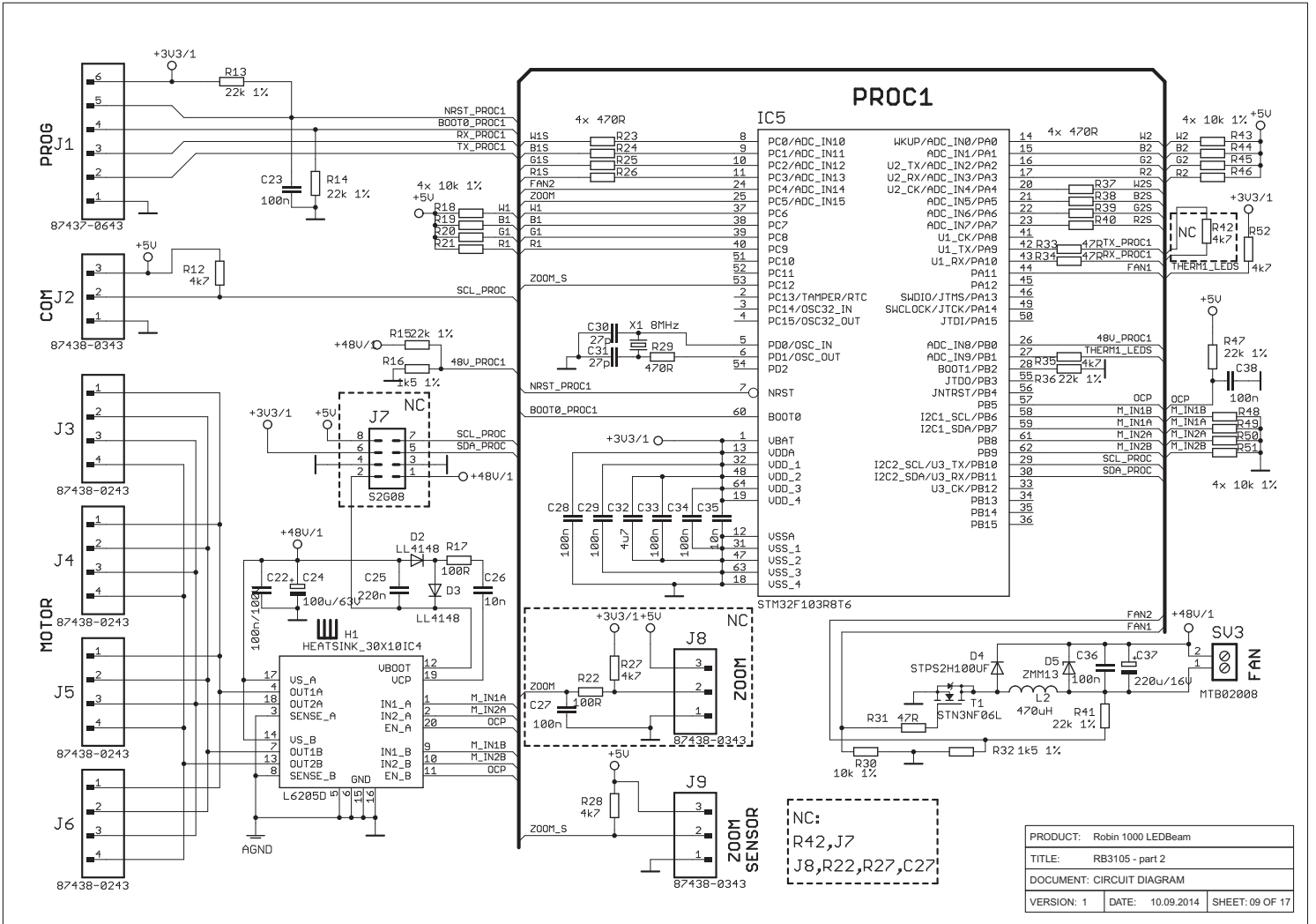


NC:  
 R1,C1,R8,C12  
 J1,C10,C11,IC2,R9,R10

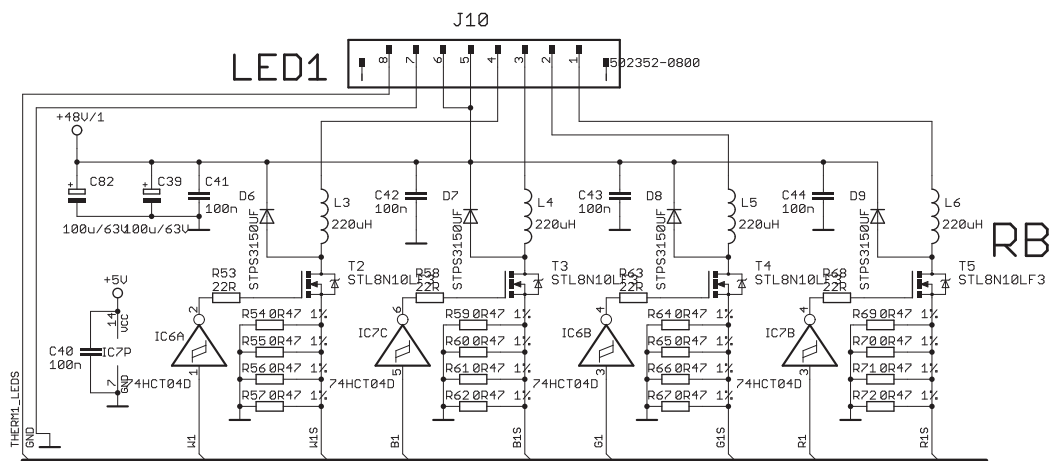


PRODUCT:	Robin 1000 LEDBeam	
TITLE:	RB3105 - part 1	
DOCUMENT:	CIRCUIT DIAGRAM	
VERSION:	1	DATE: 10.09.2014 SHEET: 08 OF 17



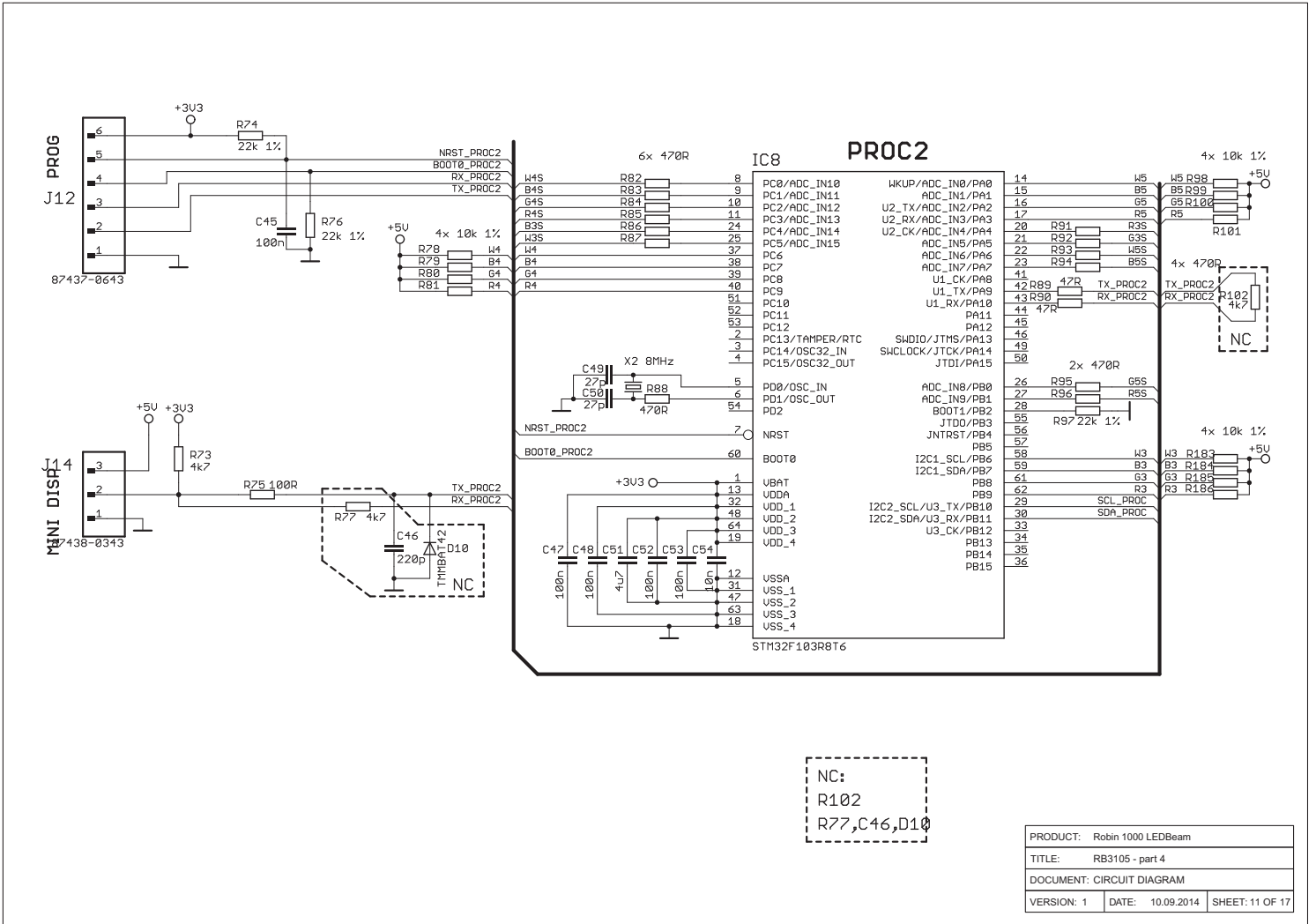


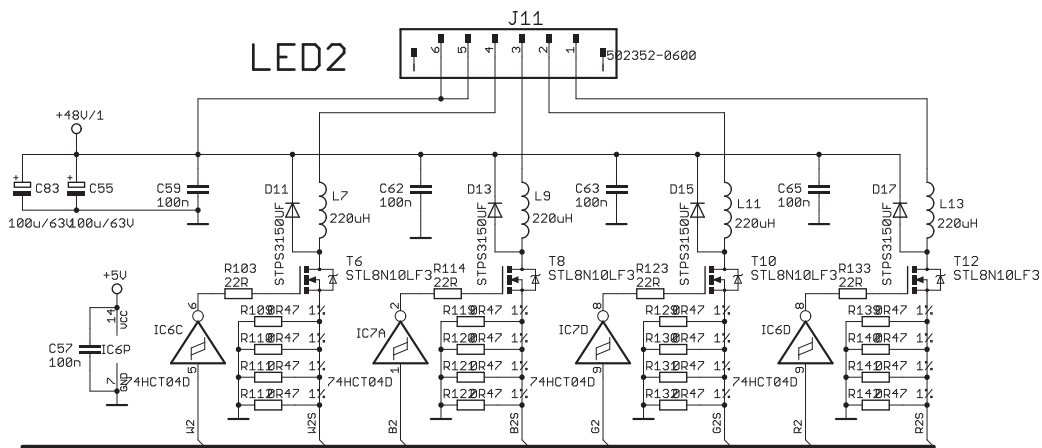
PRODUCT:	Robyn 1000 LED Beam
TITLE:	RB3105 - part 2
DOCUMENT:	CIRCUIT DIAGRAM
VERSION:	1
DATE:	10.09.2014
SHEET:	09 OF 17



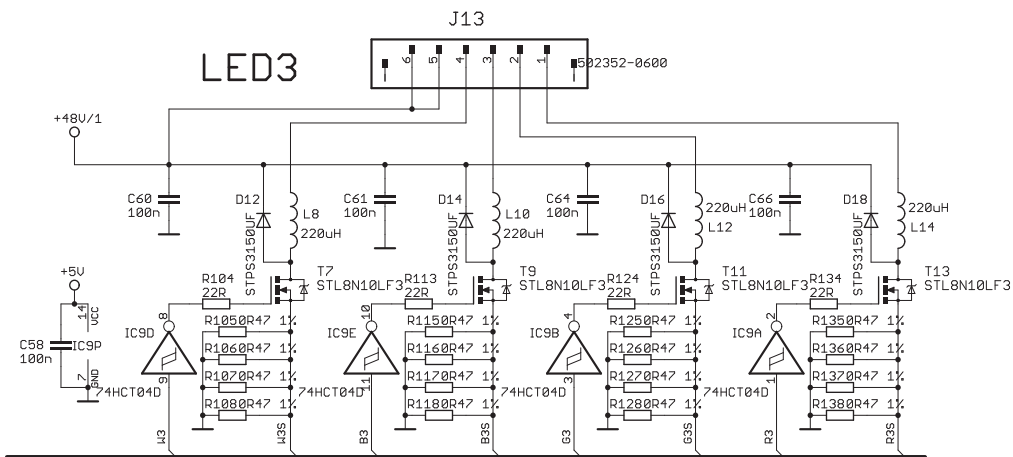
RB8150-A

PRODUCT: Robin 1000 LEDBeam		
TITLE: RB3105 - part 3		
DOCUMENT: CIRCUIT DIAGRAM		
VERSION: 1	DATE: 10.09.2014	SHEET: 10 OF 17



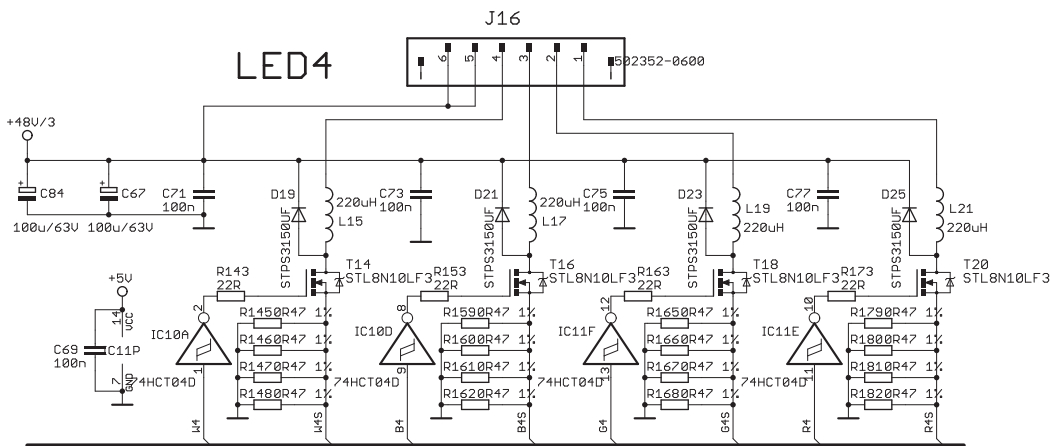


RB8150-B

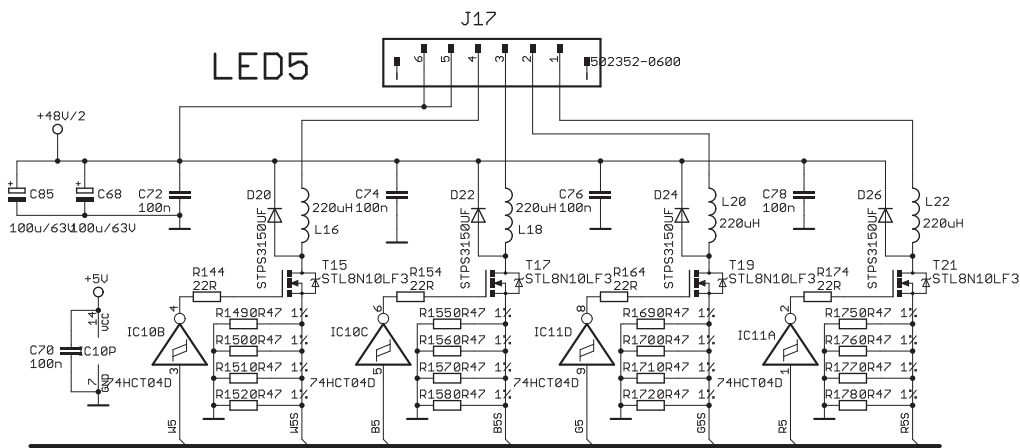


RB8150-C

PRODUCT: Robin 1000 LEDBeam		
TITLE: RB3105 - part 5		
DOCUMENT: CIRCUIT DIAGRAM		
VERSION: 1	DATE: 10.09.2014	SHEET: 12 OF 17

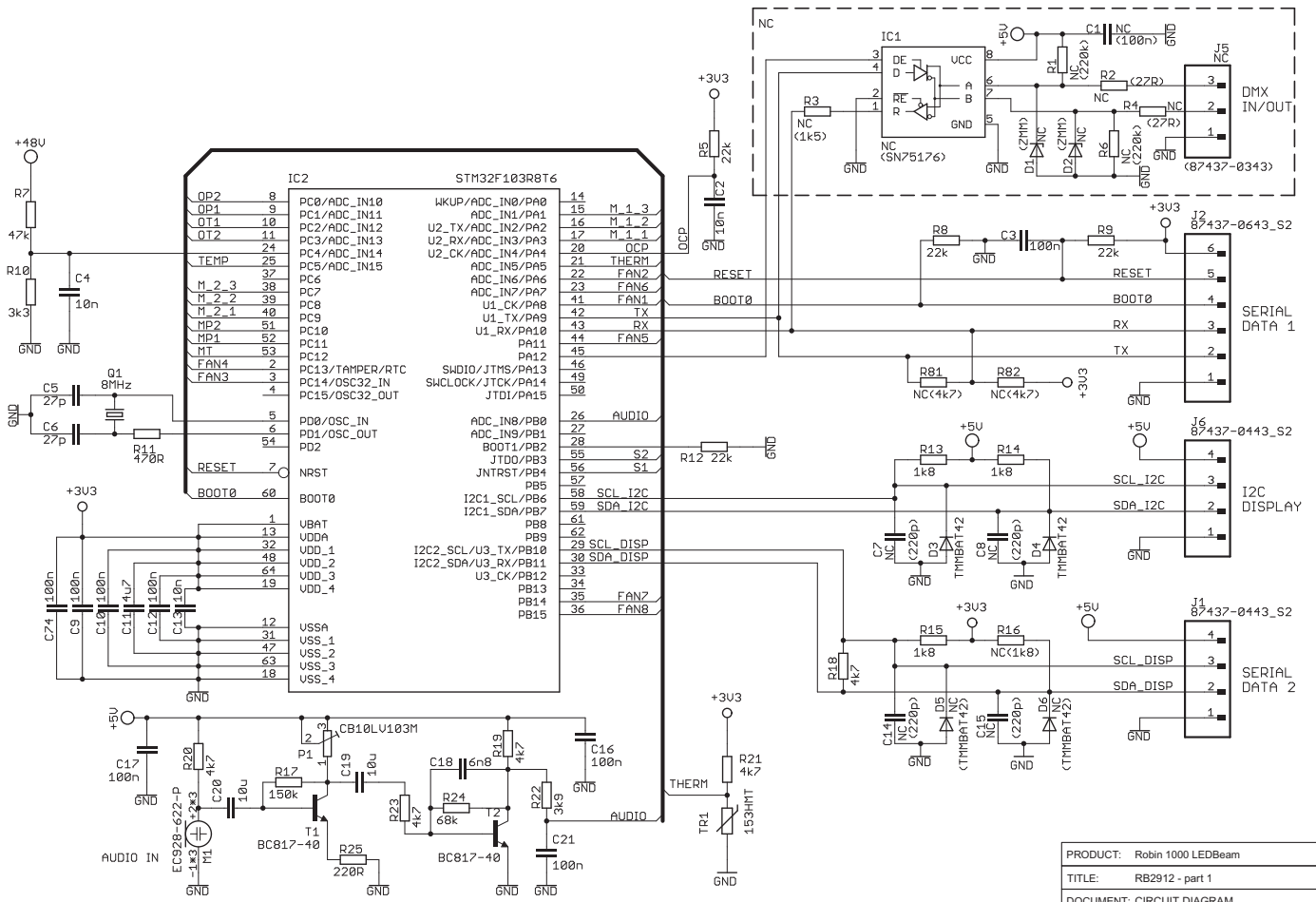


RB8150-D

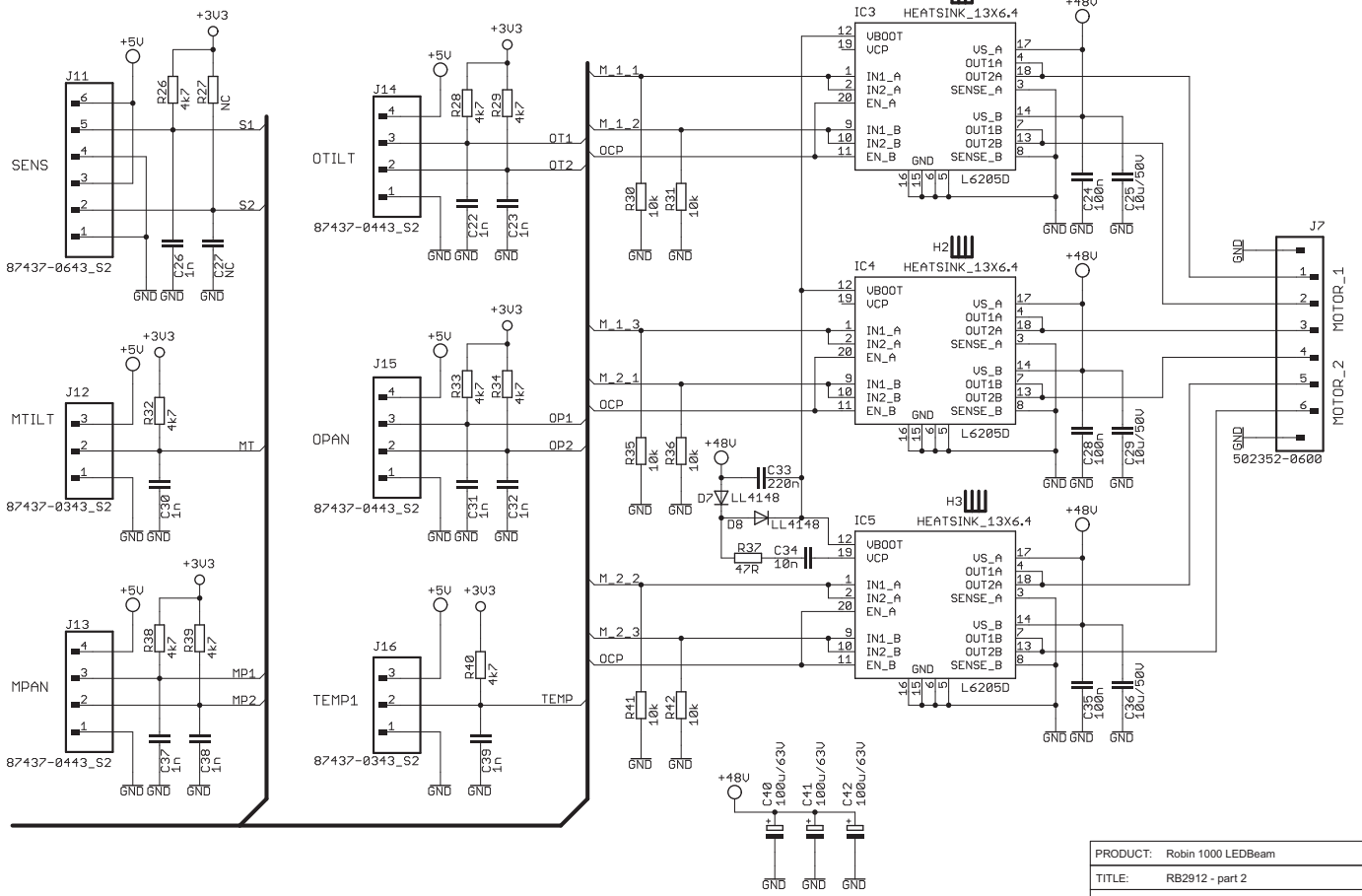


RB8150-E

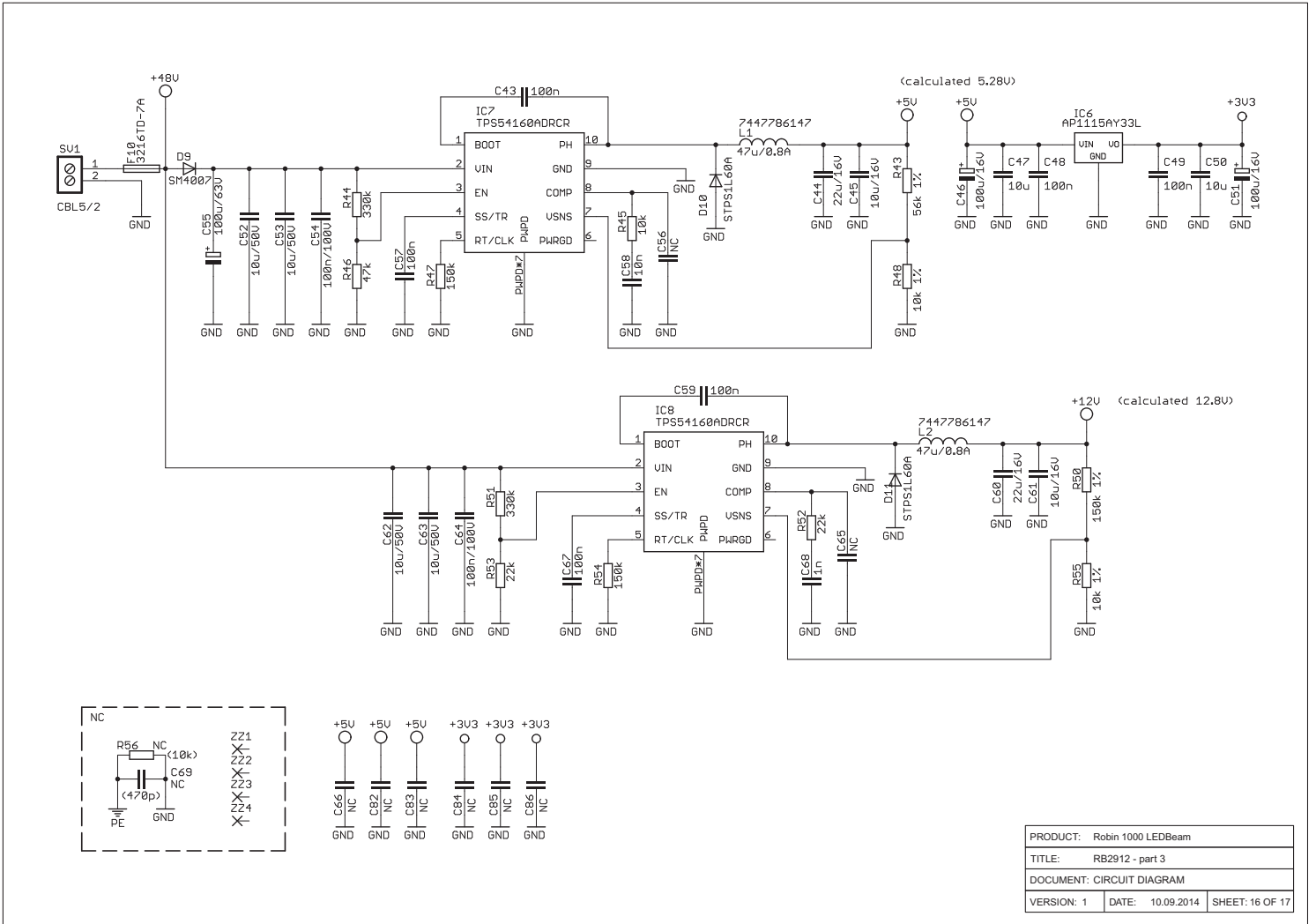
PRODUCT: Robin 1000 LEDBeam		
TITLE: RB3105 - part 6		
DOCUMENT: CIRCUIT DIAGRAM		
VERSION: 1	DATE: 10.09.2014	SHEET: 13 OF 17



PRODUCT:	Robin 1000 LEDBeam		
TITLE:	RB2912 - part 1		
DOCUMENT:	CIRCUIT DIAGRAM		
VERSION:	1	DATE:	10.09.2014
SHEET:	14	OF	17

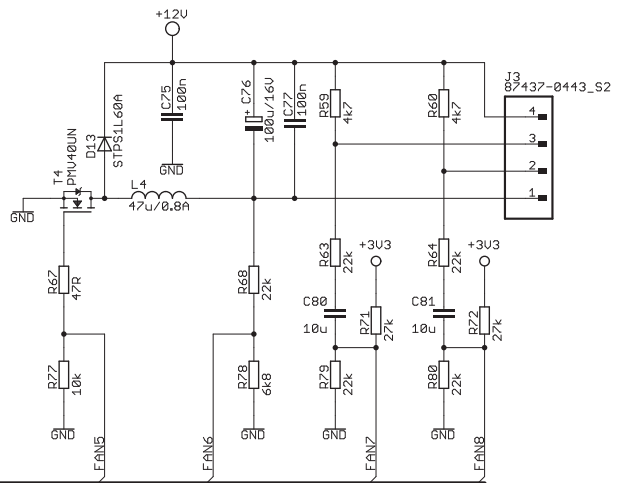
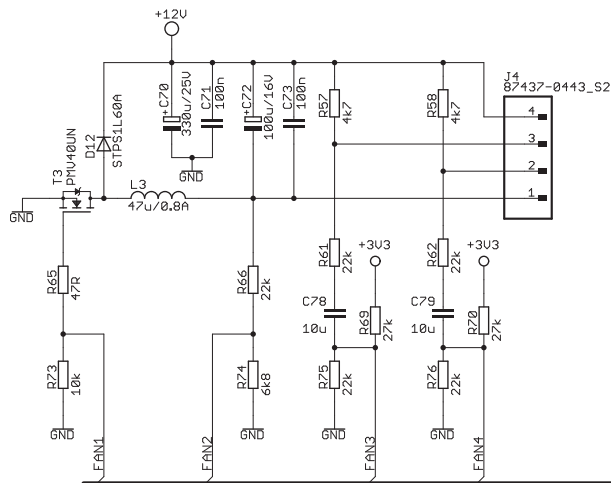


PRODUCT:	RobIn 1000 LEDBeam		
TITLE:	RB2912 - part 2		
DOCUMENT:	CIRCUIT DIAGRAM		
VERSION:	1	DATE:	10.09.2014
		SHEET:	15 OF 17



PRODUCT: Robin 1000 LEDBeam		
TITLE: RB2912 - part 3		
DOCUMENT: CIRCUIT DIAGRAM		
VERSION: 1	DATE: 10.09.2014	SHEET: 16 OF 17





PRODUCT: Robin 1000 LEDBeam		
TITLE: RB2912 - part 4		
DOCUMENT: CIRCUIT DIAGRAM		
VERSION: 1	DATE: 10.09.2014	SHEET: 17 OF 17